

DAS-8 Series

- 8 analog input channels
- Fully differential inputs, selectable per channel (DAS-8PGA, DAS-8PGA/G2, and DAS-8/AO only)
- 12-bit resolution
- 7 digital I/O bits (4 out, 3 in)
- 4kSamples/s using Call Driver
- Onboard sample pacer clock
- Software-programmable input range (DAS-8PGA, DAS-8PGA/G2, & DAS-8/AO only)
- Two 12-bit analog outputs (DAS-8/AO only)
- 16-bit DriverLINX software drivers for Windows 95/98—ActiveX and DLL based

Ordering Information

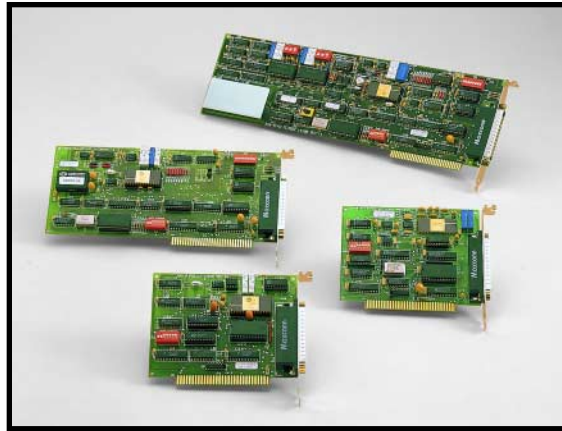
DAS-8 4kS/s Analog and Digital I/O Board

DAS-8PGA
4kS/s Analog and Digital I/O with gains of 0.5, 1, 10, 100, and 500

DAS-8PGA/G2
4kS/s Analog and Digital I/O Board with gains of 1, 2, 4, and 8

DAS-8/AO
4kS/s Analog and Digital I/O Board with 2 Analog Outputs

4kHz, 12-Bit Multifunction Boards



The DAS-8 Series consists of four analog and digital I/O boards: the DAS-8, DAS-8PGA, DAS-8PGA/G2, and DAS-8/AO. The DAS-8PGA and DAS-8PGA/G2 feature software programmable input ranges, and the DAS-8/AO also provides two analog outputs and an onboard pacer clock.



DAS-8 SERIES SELECTOR GUIDE

	DAS-8	DAS-8PGA	DAS-8PGA/G2	DAS-8/AO
Analog Inputs	8 single-ended	8 SE/Diff.	8 SE/Diff.	8 SE/Diff.
Analog Outputs	0	0	0	2
Maximum Speed	4kS/s	4kS/s	4kS/s	4kS/s
Resolution	12 bits	12 bits	12 bits	12 bits
Input Ranges	±5V	±10V, ±5V, ±0.5V, ±0.05V, ±0.01V, 0 to +10V, 0 to +1V, 0 to +0.1V, 0 to +0.02V	±5V, ±2.5V, ±1.25V, ±0.625V, 0 to +5V, 0 to +2.5V, 0 to +1.25V, 0 to +0.625V	
Digital Inputs	3	3	3	3
Digital Outputs	4	4	4	4

ACCESSORIES AVAILABLE

C1800	DAS-8 Series to STA-08, STA-08PGA, EXP-16, or EXP-GP Cable
EXP-GP	8-Channel Signal Conditioning and Multiplexer Accessory Board
MS-DAS-8	Upgrade to the latest version of DriverLINX software and hardware manuals for DAS-8, -8/AO, -8PGA. Windows 95/98 only.
S1800	Shielded version of the C1800 Cable
STA-08	Screw Terminal Accessory Board for DAS-8 or DAS-8/IT. Requires a C1800 or S1800 Cable
STA-08PGA	Screw Terminal Accessory Board for DAS-8/PGA or DAS-8PGA/G2. Requires a C1800 or S1800 Cable
STA-08AO	Screw Terminal Accessory Board for DAS-8/AO. Requires a C1800 or S1800 Cable
STC-37	Direct Screw Terminal Connector
STP-37	Screw terminal Panel. Requires a C1800 cable
TESTPOINT	TestPoint Software Package

APPLICATIONS

- Data logging
- Process control & monitoring
- Energy management
- Laboratory automation
- Production test
- Signal analysis

1.888.KEITHLEY (U.S. only)

www.keithley.com

KEITHLEY

A GREATER MEASURE OF CONFIDENCE

DAS-8

4kHz, 12-Bit Multifunction Boards

Specifications

ANALOG SPECIFICATIONS

NUMBER OF CHANNELS:

8, single-ended (DAS-8).

8, single-ended/differential (DAS-8PGA, DAS-8/AO).

ACCURACY: 0.01% of reading ± 1 bit; 0.05% of full-scale (DAS-8/AO).

FULL SCALE: $\pm 5V$ (DAS-8); $\pm 10V$ bipolar, 0 to $+10V$ unipolar (DAS-8PGA, DAS-8/AO).

RESOLUTION: 12-bits.

CONVERSION: $25\mu s$ typ ($35\mu s$ max.).

FIFO: None.

DIMENSIONS

(DAS-8): $4.25in \times 5.0in \times 0.75in$
($10.8cm \times 12.7cm \times 1.9cm$).

(DAS-8PGA): $4.25in \times 9.0in \times 0.75in$
($10.8cm \times 22.9cm \times 1.9cm$).

(DAS-8/AO): $4.24in \times 13.25in \times 0.75in$
($10.8cm \times 33.7cm \times 1.9cm$).

ANALOG OUTPUT (DAS-8/AO ONLY)

CHANNELS: 2.

RESOLUTION: 12-bits.

RANGES: $0-5V$, $0-10V$, $\pm 2.5V$, $\pm 5V$, $\pm 10V$, $4-20mA$.

SETTLING TIME: $4\mu s$ to 0.01% for full-scale step.

INPUT DATA DECODING:

Unipolar — True binary (right-justified).

Bipolar — Offset binary (right).

4-20mA CURRENT LOOP:

Type: 4-20mA constant-current sink to ground.

OUTPUT RESISTANCE: $>100M\Omega$.

LOOP EXCITATION VOLTAGE: $+6V$ min; $+36V$ max.

Specs Common To All Boards

DIGITAL I/O

OUTPUTS: LSTTL.

OUTPUT PORT: 4 bits.

LOW VOLTAGE: $0.5V$ max at $I_{sink} = 8.0mA$.

HIGH VOLTAGE: $2.4V$ min at $I_{source} = -0.4mA$.

INPUTS (IP1 - 3 & INTERRUPTS): LSTTL.

LOW VOLTAGE: $0.8V$ max.

LOW CURRENT: $-0.4V$ max.

HIGH VOLTAGE: $2.0V$ min.

HIGH CURRENT: $20\mu A$ max.

INTERRUPT CHANNEL

LEVEL: 2 - 7 software selectable.

ENABLE: Via INTE of control register.

PROGRAMMABLE TIMER

TYPE: 8254.

COUNTERS: 3 down counter, 16-bit.

OUTPUT DRIVE: $2.2mA$ at $0.45V$ (5 LSTTL loads).

INPUT, GATE: TTL/DTL/CMOS compatible.

CLOCK FREQUENCY: $1MHz \pm 0.1\%$ (DAS-8 uses computer's bus clock).

ACTIVE EDGE: Negative.

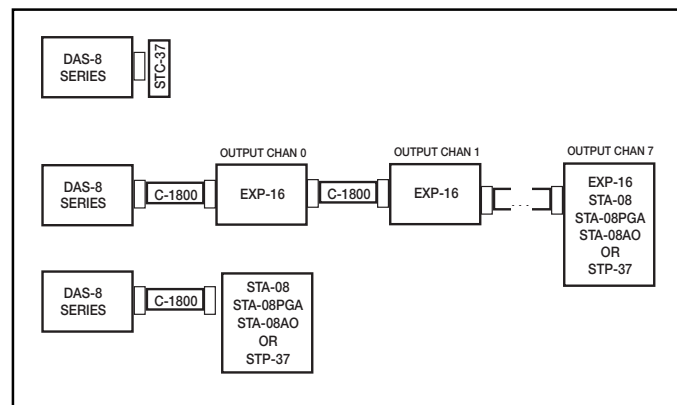
ENVIRONMENTAL

OPERATING TEMP: 0 to $50^{\circ}C$.

STORAGE TEMP: -20 to $70^{\circ}C$.

HUMIDITY: 0-95% non-condensing.

Configuration Guide



The C1800 cable is used to daisy chain up to 8 EXP-16 expansion boards to the DAS-8, DAS-PGA, or DAS-8/AO.

1.888.KEITHLEY (U.S. only)

www.keithley.com

KEITHLEY

A GREATER MEASURE OF CONFIDENCE